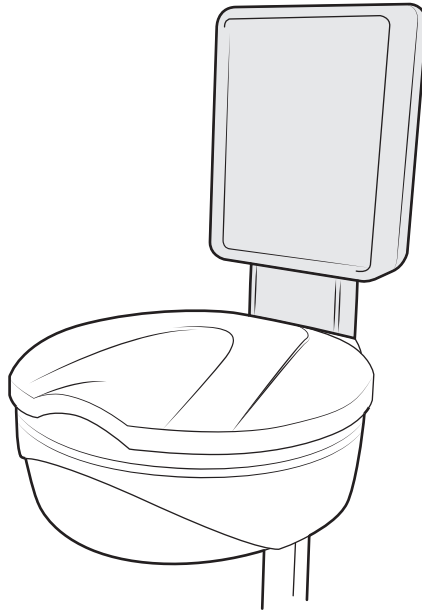




SINGLE ORBIS SIGN KIT

INSTALLATION INSTRUCTIONS

IMPORTANT NOTE: ENSURE THAT ALL RELEVANT PERSONNEL READ THESE INSTRUCTIONS PRIOR TO USE



EQUIPMENT REQUIRED:

- 17mm Spanner x 1
- 8mm Allen Key x 1

KIT CONTENTS:

- ITEM 1 - Sign Carrier x 1
- ITEM 2 - Orbis Post x 1
- ITEM 3 - M10 x 150mm Bolt x 4
- ITEM 4 - M10 Washer x 4
- ITEM 5 - M10 Nyloc Nut x 4

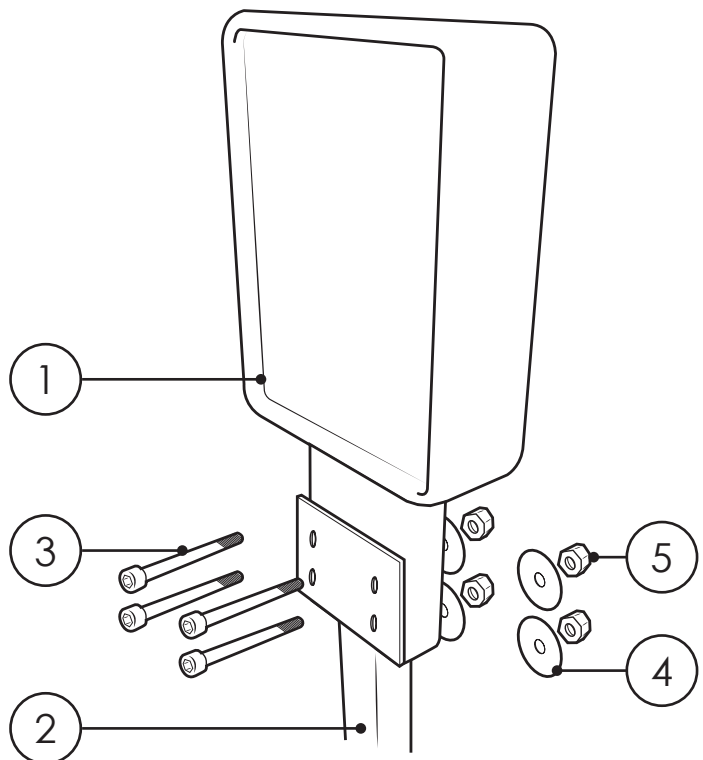
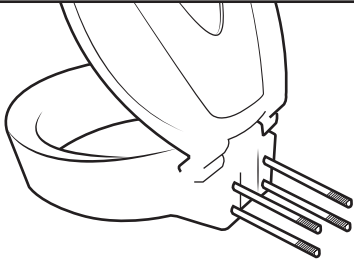


DIAGRAM NOT TO SCALE

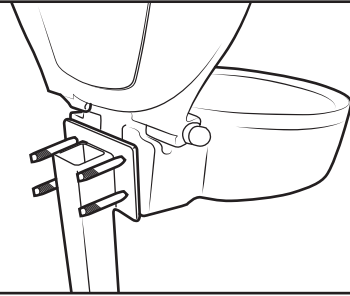
NEW SIGN KIT INSTALLATION

1.



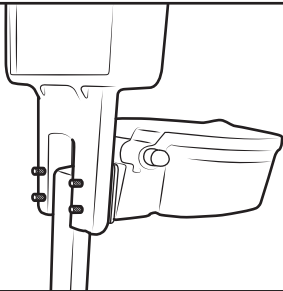
Insert the M10 Bolts through the Orbis fixing holes.

2.



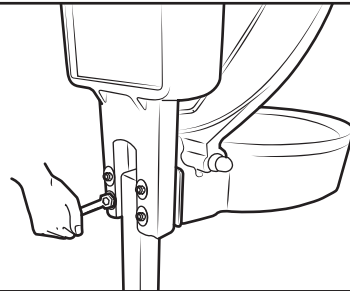
Insert the Orbis with the bolts through the holes of the Orbis Post.

3.



Locate the Sign Carrier's fixing holes on to the exposed bolts protruding through the rear of the Orbis Post.

4.



Secure in position with M10 Washers and Nuts using 10mm Spanner and 8mm Allen Key.

DOUBLE ORBIS SIGN KIT

INSTALLATION INSTRUCTIONS

IMPORTANT NOTE: ENSURE THAT ALL RELEVANT PERSONNEL READ THESE INSTRUCTIONS PRIOR TO USE



EQUIPMENT REQUIRED:

- 17mm Spanner x 1
- 8mm Allen Key x 1

KIT CONTENTS:

- ITEM 1 - Sign Carrier x 1
- ITEM 2 - 2 Point Bracket x 1
- ITEM 3 - Orbis Post x 1
- ITEM 4 - M10 x 200mm Bolt x 4
- ITEM 5 - M10 Washer x 4
- ITEM 6 - M10 Nyloc Nut x 4

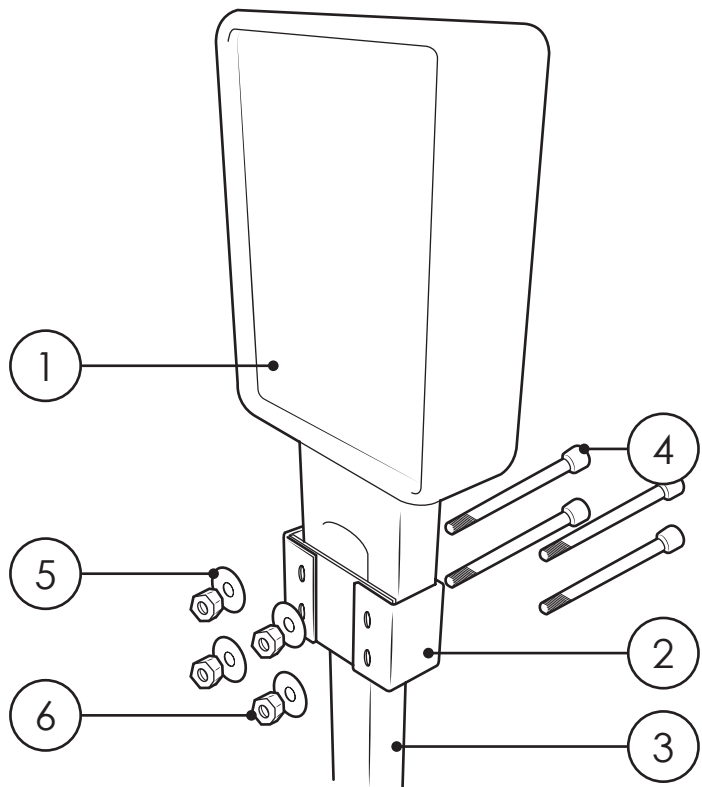
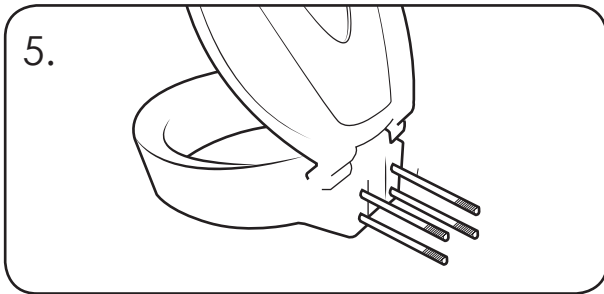
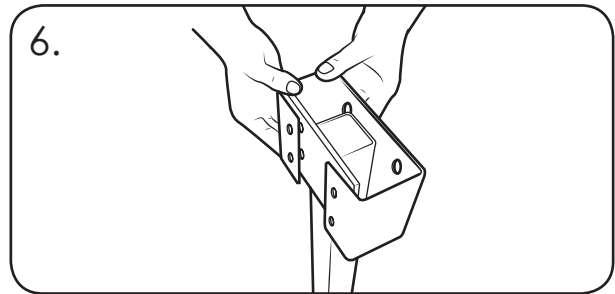


DIAGRAM NOT TO SCALE

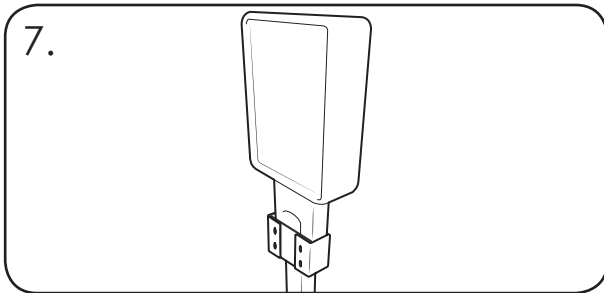
NEW SIGN KIT INSTALLATION



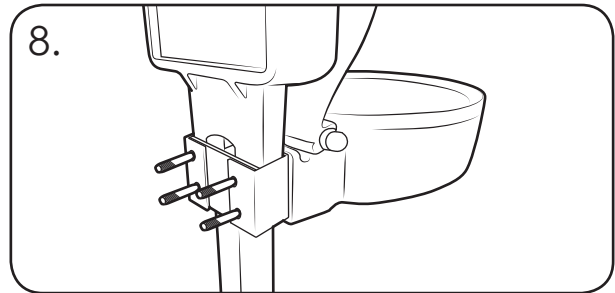
5. Insert the M10 Bolts through the Orbis fixing holes.



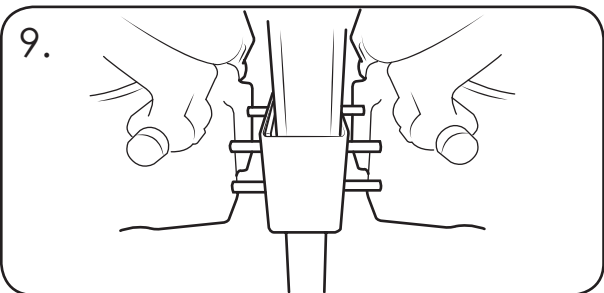
6. Align the 2 Point Bracket with the fixing holes on the Orbis Post.



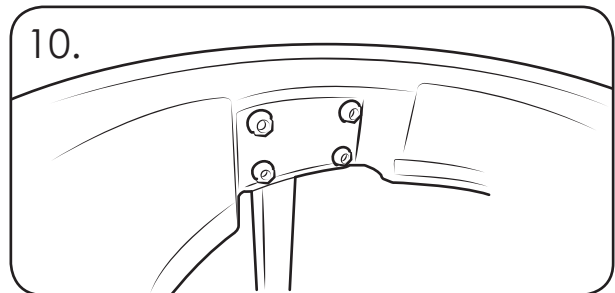
7. Then align the Sign Carrier fixing holes with the 2 Point Bracket and the Orbis Post.



8. Locate Orbis with fixing bolts in to the 2 Point Bracket, Orbis Post and Sign Carrier.



9. Locate second Orbis onto the exposed fixing bolts, which will hold all the units together.



10. Secure in position with M10 Washers and Nuts using 17mm Spanner and 8mm Allen Key.

IMPORTANT NOTE: PLEASE ENSURE THAT ALL RELEVANT PERSONNEL READ THE POINTS LISTED WITHIN THIS LEAFLET AND THAT A COPY IS GIVEN TO STAFF INVOLVED WITH THE INSTALLATION AND MAINTENANCE OF THIS PRODUCT.

SAFETY NOTE: PLEASE REFER TO 'THE MANUAL HANDLING OPERATIONS REGULATIONS 1992' DURING HANDLING.



Glasdon AND ORBIS SIGN KIT ARE TRADEMARKS OR REGISTERED TRADEMARKS OF GLASDON GROUP OR ITS SUBSIDIARIES IN THE U.K. AND OTHER COUNTRIES

- A planned maintenance schedule or regular inspection is recommended, replacing components as necessary.
- Replacement components are available direct from GLASDON.
- GLASDON cannot be held responsible for claims arising from incorrect installation, unauthorised modifications or misuse of the product.

Issue 1 - JULY 2017 - Stock No. C000/0499 - DWG No. 07B324-111

© Copyright JULY 2017

Glasdon UK Ltd reserve the right to alter specifications without prior notice.



Glasdon

Glasdon U.K. Limited

Preston New Road
BLACKPOOL
Lancashire FY4 4UL
Tel. : 01253 600410
Fax : 01253 792558
e-mail: sales@glasdon-uk.co.uk
web: www.glasdon.com

Should you require any further assistance please contact us on
tel: 01253 600410, fax: 01253 792558 or email: sales@glasdon-uk.co.uk